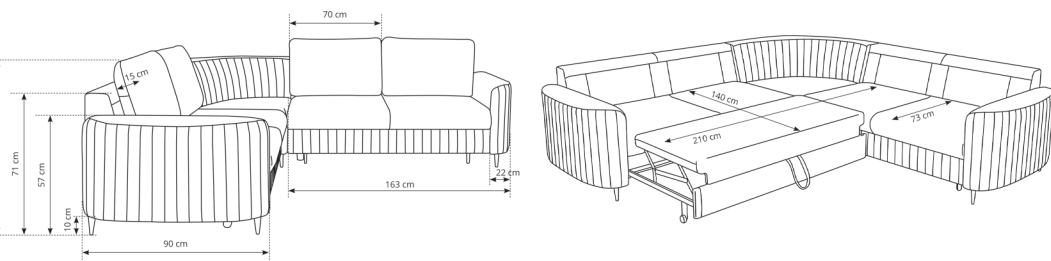
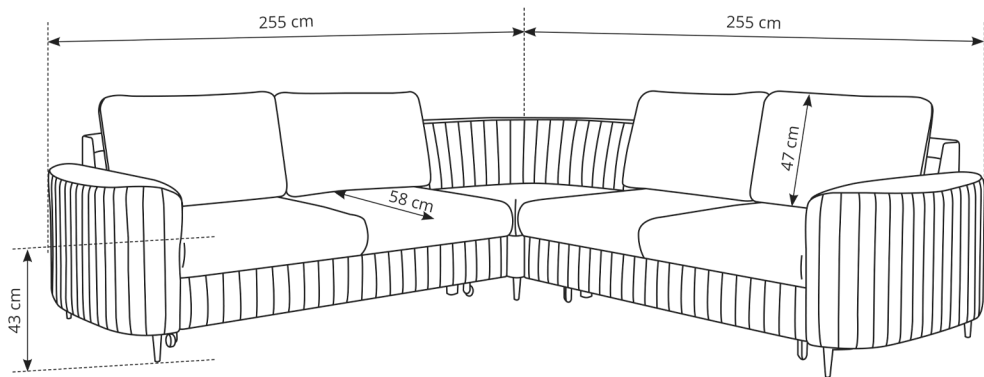


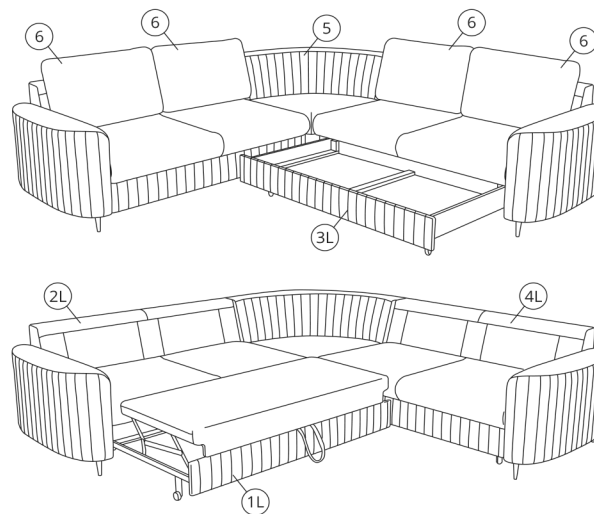


45 min.

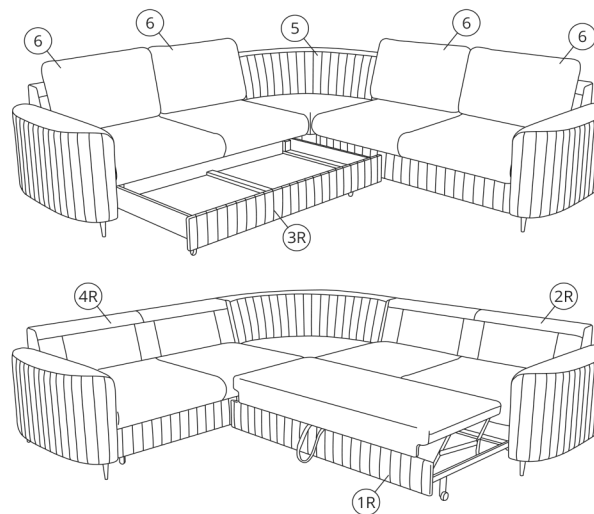
AREN



L



R

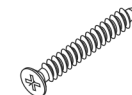


E1
4 x 30 mm



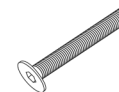
x15

E2
5 x 40 mm



x4

F2



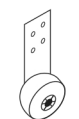
x4

F3



x4

F4



x2

GT1

h = 100 mm



x5

GT10

h = 45 mm



x4

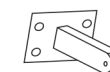
GT17

h = 100 mm



x5

W1



x2

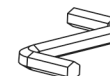
W2

4 x 15 mm



x8

XA

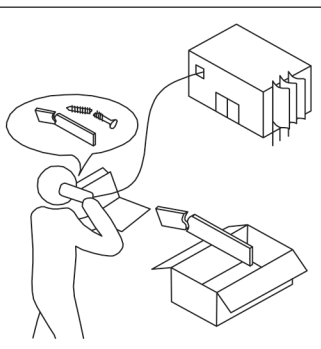
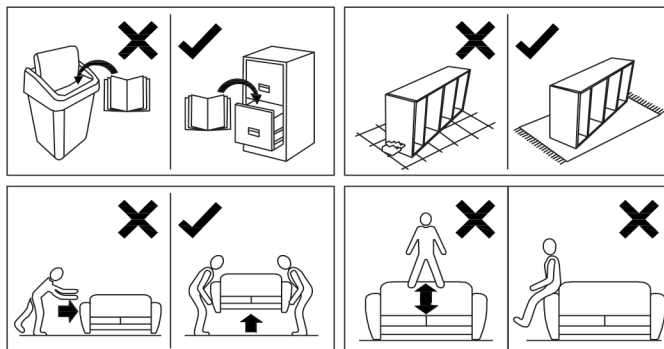


x1

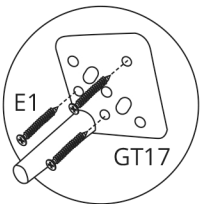
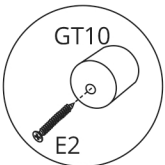
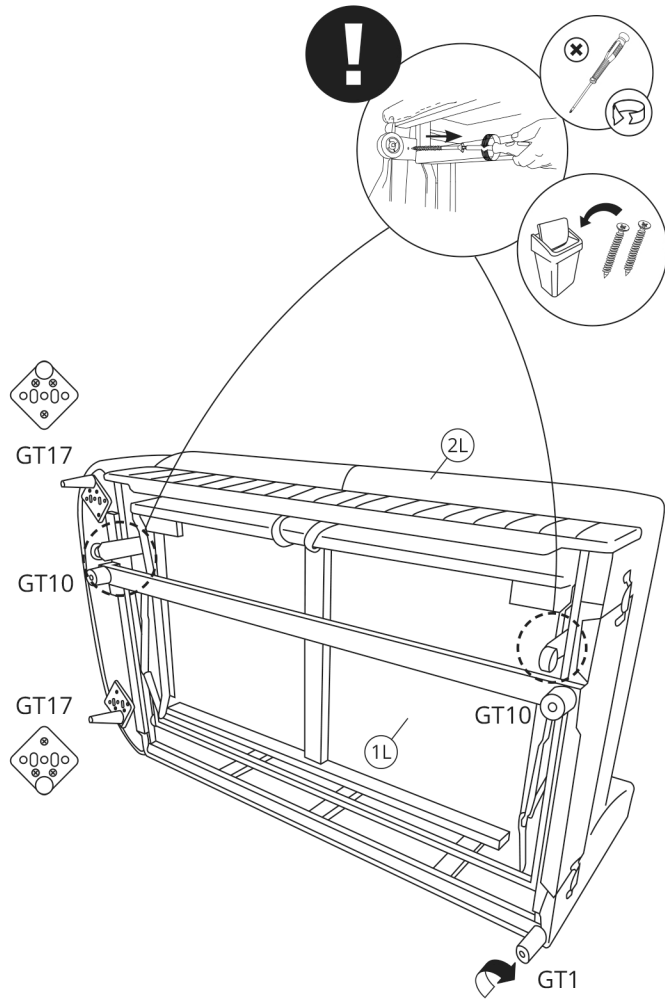
XF



x1



1



E1
4 x 30 mm
x6

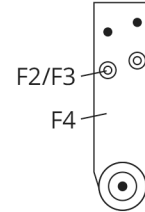
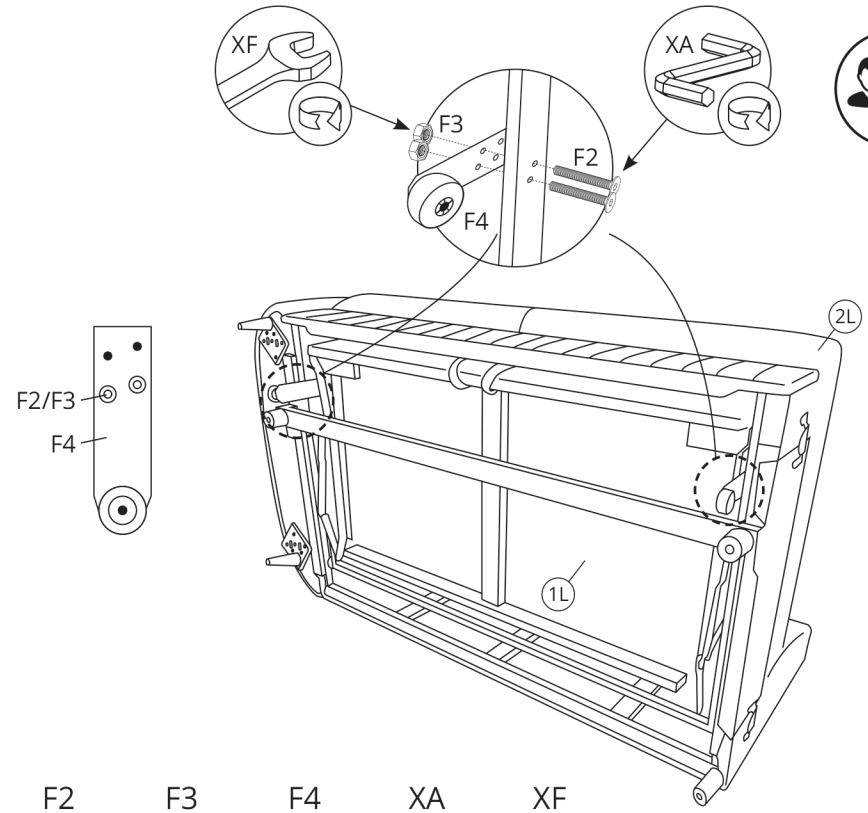
E2
5 x 40 mm
x2

GT1
h = 100 mm
x1

GT10
h = 45 mm
x2

GT17
h = 100 mm
x2

2



F2
x4

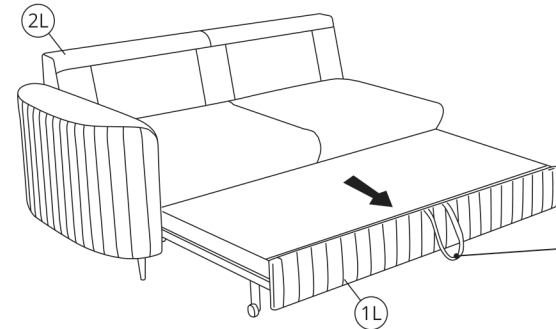
F3
x4

F4
x2

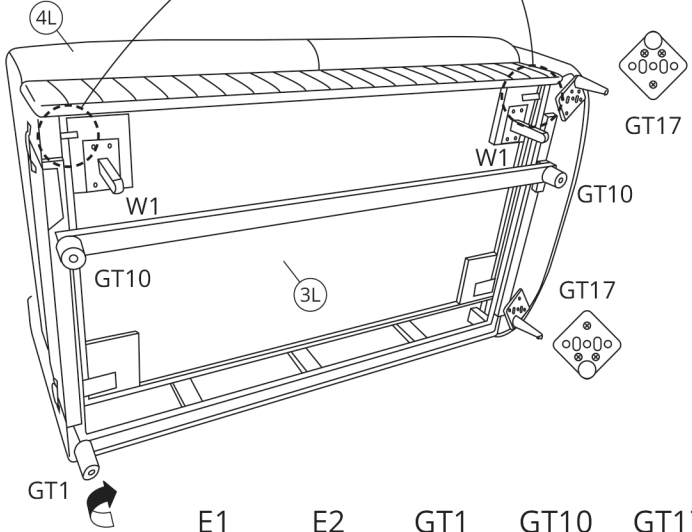
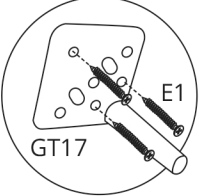
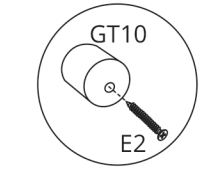
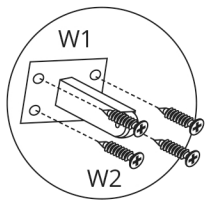
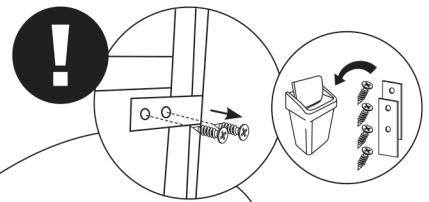
XA
x1

XF
x1

3

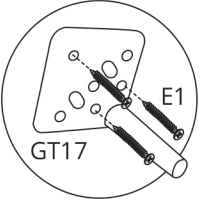
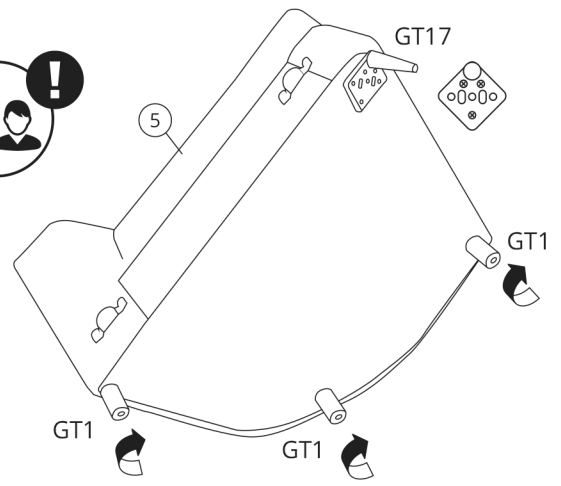


4



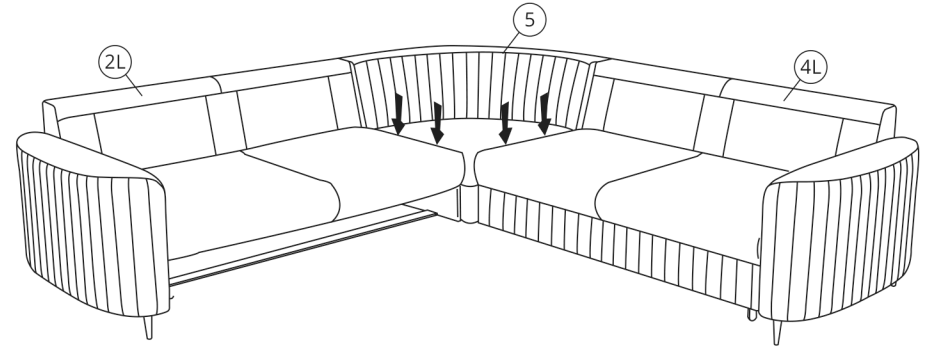
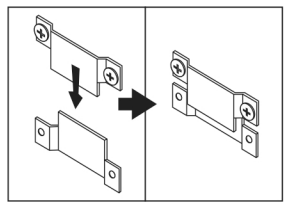
- GT1
- E1 4 x 30 mm x6
- E2 5 x 40 mm x2
- GT1 h = 100 mm x1
- GT10 h = 45 mm x2
- GT17 h = 100 mm x2
- W1 x2
- W2 4 x 15 mm x8

5

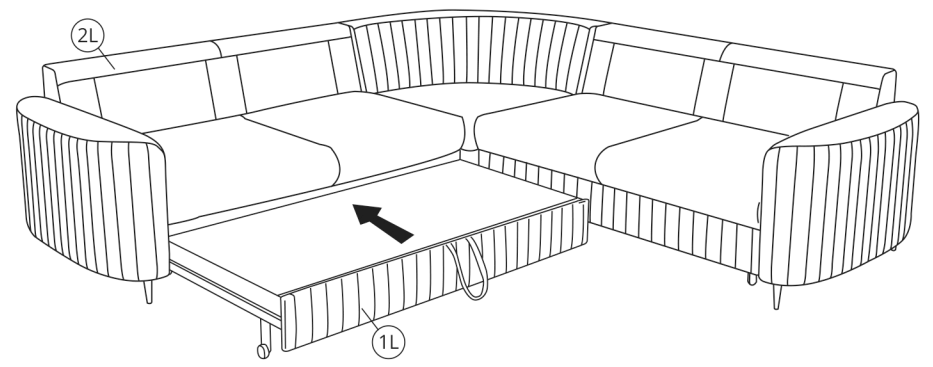


- E1 4 x 30 mm x3
- GT1 h = 100 mm x3
- GT17 h = 100 mm x1

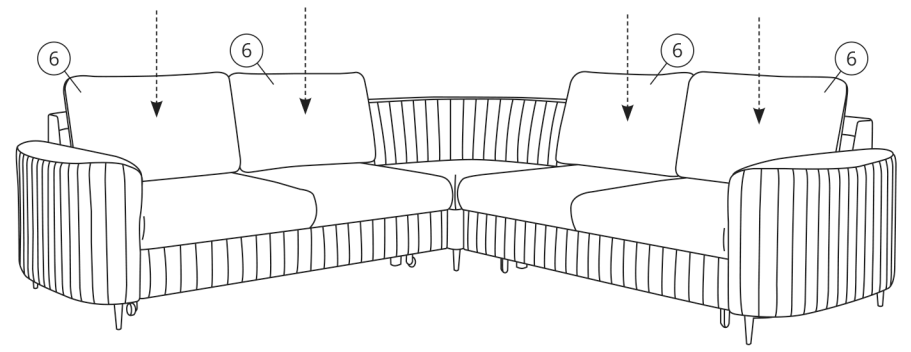
6



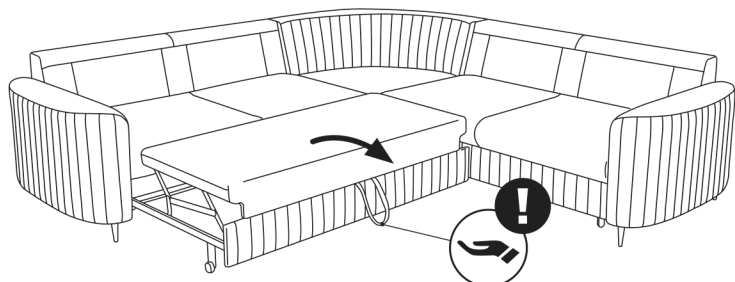
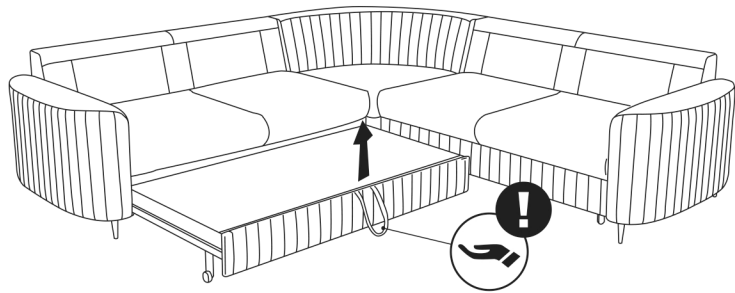
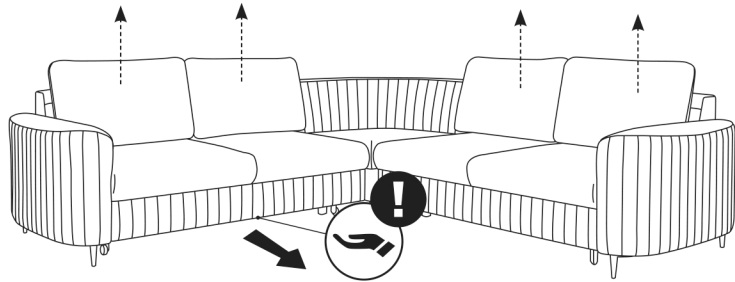
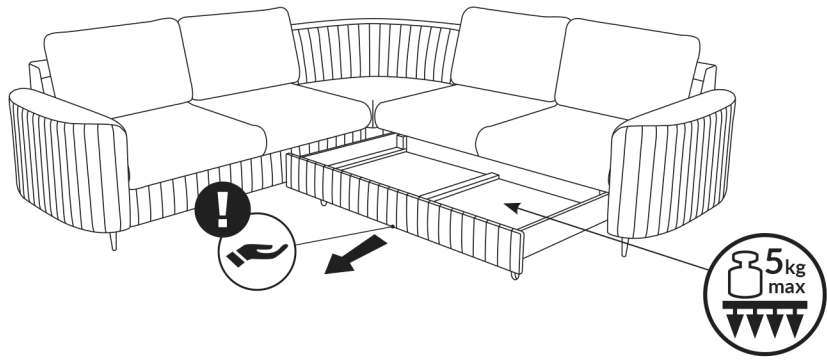
7



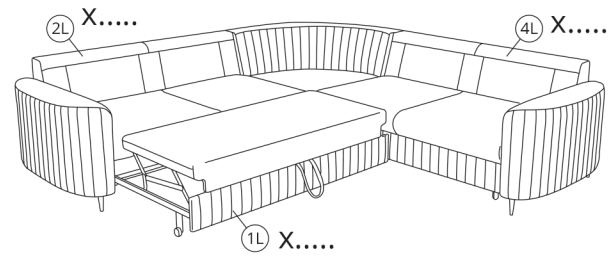
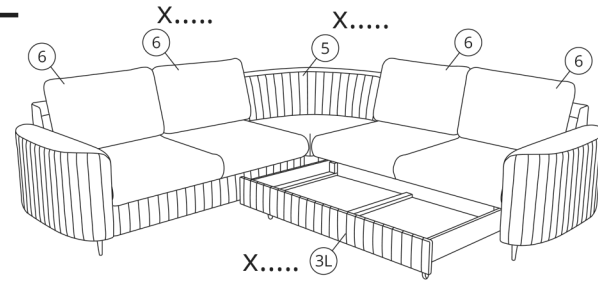
8



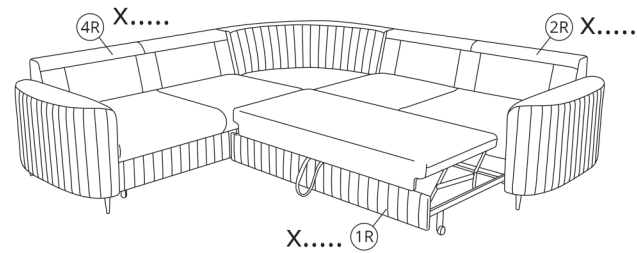
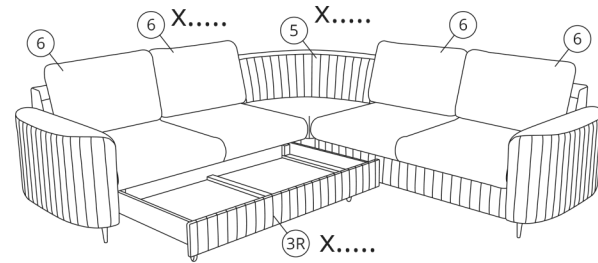
L



L



R



E1
4 x 30 mm



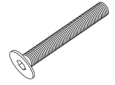
X.....

E2
5 x 40 mm



X.....

F2



X.....

F3



X.....

F4



X.....

GT1
h = 100 mm



X.....

GT10
h = 45 mm



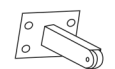
X.....

GT17
h = 100 mm



X.....

W1



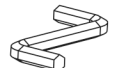
X.....

W2
4 x 15 mm



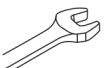
X.....

XA



X.....

XF



X.....

